



# Wall Mounted 9 and 12,000 BTU Systems

## SYSTEMS 9R2, 12R2

### Function

Stylish, slim and elegant, these popular wall mounted units are designed for single rooms. Indoor units have a clean, aesthetic design and are small but mighty and shorter in length than competing units, helping them blend into any room. 13 and 14-SEER heat pump systems have over a 30% increase in efficiency over conventional 10-SEER models and feature environmentally friendly R410A refrigerant, both heating and cooling operation, quiet mode and easy maintenance.

### Applications

This category of equipment is ideal for smaller spaces where spot cooling or heating is required. Residential applications including sunrooms and additions are made easier with these 115 volt air conditioners and heat pumps. Do you have a warm or cool spot in your home? Our mini-splits can provide extra cooling or heating capacity for those hard to cool areas. Commercially, their small size makes them ideal for small offices, providing individual temperature control.



**Up to 14.3-SEER**

### Optional Wired Remote

- Weekly Timer
- Full Function Wired Remote
- Child Lock Capable

UTY-RNBYU



### Standard Features

- Wireless Remote Control
- Sleep Timer
- Coil Dry Mode
- Dry Mode
- Auto Louver: 4-Way
- Auto Mode
- Quiet Mode
- Economy Mode
- Auto Restart/Reset
- Auto Changeover
- Low Ambient
- Cold Prevention
- Minimum Heat
- Basic Third Party Interface\*



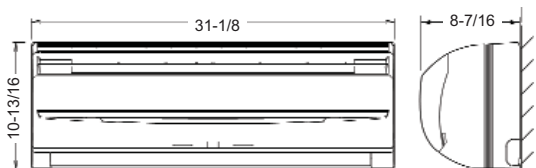
**FUJITSU**

## Easy Maintenance

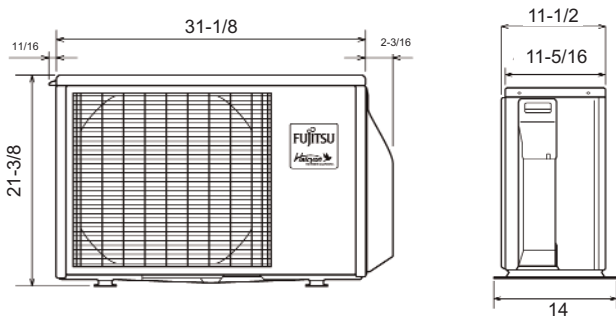
Front panel is easily removed for cleaning.



### FRONT & SIDES OF ASU9R2, ASU12R2



### FRONT & SIDES OF AOU9R2, AOU12R2



The Fujitsu logo is a registered trademark of Fujitsu Limited. The Halcyon logo and name is a trademark of Fujitsu General America, Inc. Copyright 2010 Fujitsu General America, Inc.

Fujitsu's products are subject to continuous improvements. Fujitsu reserves the right to modify product design, specifications and information without notice and without incurring any obligations.

|                                     | 9R2               | 12R2              |                |                 |
|-------------------------------------|-------------------|-------------------|----------------|-----------------|
|                                     | Heat Pump         | Heat Pump         |                |                 |
| Nominal Cooling <i>BTU/h</i>        | 9,700             | 12,300            |                |                 |
| Nominal Heating <i>BTU/h</i>        | 9,600             | 12,800            |                |                 |
| HSPF <i>BTU/hW</i>                  | 8.2               | 8.2               |                |                 |
| SEER <i>BTU/hW</i>                  | 14.3              | 13.7              |                |                 |
| EER <i>Clg/Htg</i>                  | 11.8/13.9         | 11.5/12.9         |                |                 |
| Clg. Operating Range °F(°C)         | 32~115 (0~46)     | 32~115 (0~46)     |                |                 |
| Htg. Operating Range °F(°C)         | 17~75 (-8~24)     | 17~75 (-8~24)     |                |                 |
| Moisture Removal <i>Pt./h(l/h)</i>  | 2.1 (1.0)         | 3.2 (1.5)         |                |                 |
| Voltage/Frequency/Phase             | 115/60/1          | 115/60/1          |                |                 |
| Recommended Fuse Size (A)           | 15                | 20                |                |                 |
| Air Circ. <i>C.F.M. (m³/h)</i> : Hi | 324 (550)         | 383 (650)         |                |                 |
| Medium                              | 271 (460)         | 324 (550)         |                |                 |
| Low                                 | 241 (410)         | 265 (450)         |                |                 |
| Quiet                               | 200 (340)         | 206 (350)         |                |                 |
| Noise Level <i>dB(A)</i> : Hi       | 40/38             | 45/42             |                |                 |
| Medium                              | 36/34             | 40/37             |                |                 |
| Low                                 | 31/29             | 34/32             |                |                 |
| Quiet                               | 26/25             | 29/27             |                |                 |
| Outdoor Fan Speed <i>RPM</i>        | 640               | 770               |                |                 |
| Outdoor Noise Level <i>dB(A)</i>    | 43/45 (Clg/Htg)   | 45/46 (Clg/Htg)   |                |                 |
| Current (A): Cooling                | 7.6               | 9.9               |                |                 |
| Heating                             | 6.5               | 9.2               |                |                 |
| Power Use (kw): Cooling             | 0.82              | 1.07              |                |                 |
| Heating                             | 0.69              | 0.99              |                |                 |
| Fan Speeds <i>Stage</i>             | 4 + Auto          | 4 + Auto          |                |                 |
| Air Direction: <i>Horizontal</i>    | Manual            | Manual            |                |                 |
| <i>Vertical</i>                     | Automatic         | Automatic         |                |                 |
| Air Filter                          | Washable          | Washable          |                |                 |
| Connection Method                   | Flare             | Flare             |                |                 |
| Combined Max. Lgth <i>Ft (m)</i>    | 49 (15)           | 49 (15)           |                |                 |
| Max. Vertical Diff. <i>Ft (m)</i>   | 26 (8)            | 26 (8)            |                |                 |
| Conn. Pipe Diameter <i>Inch</i>     | Suc. 3/8 Dis. 1/4 | Suc. 3/8 Dis. 1/4 |                |                 |
| Net Weight <i>lbs. (kg)</i>         | 21 (9.5)          | 71 (32)           | 21 (9.5)       | 79 (36)         |
| Dimensions: Height <i>Inch</i>      | 10-13/16          | 21-3/8            | 10-13/16       | 21-3/8          |
| <i>mm</i>                           | 275               | 540               | 275            | 540             |
| Width <i>Inch</i>                   | 31-1/8            | 31-1/8            | 31-1/8         | 31-1/8          |
| <i>mm</i>                           | 790               | 790               | 790            | 790             |
| Depth <i>Inch</i>                   | 8-1/2             | 11-1/2            | 8-1/2          | 11-1/2          |
| <i>mm</i>                           | 215               | 290               | 215            | 290             |
| Refrigerant                         | R410A             | R410A             |                |                 |
|                                     | Indoor ASU9R2     | Outdoor AOU9R2    | Indoor ASU12R2 | Outdoor AOU12R2 |

Note: Figures are based on 115 Volts.

[FOR MORE INFORMATION:](#)

**FUJITSU GENERAL AMERICA, INC.**  
 353 Route 46 West • Fairfield, NJ 07004  
 Tel: (973) 575-0380 • Fax: (973) 836-0448  
[www.fujitsugeneral.com](http://www.fujitsugeneral.com)  
 Rev. 11/10